

**REFERENCE :** KI0603

**SIZES :** U

**COMPOSITION :**

Main fabric : Cotton canvas 340 100%cotton

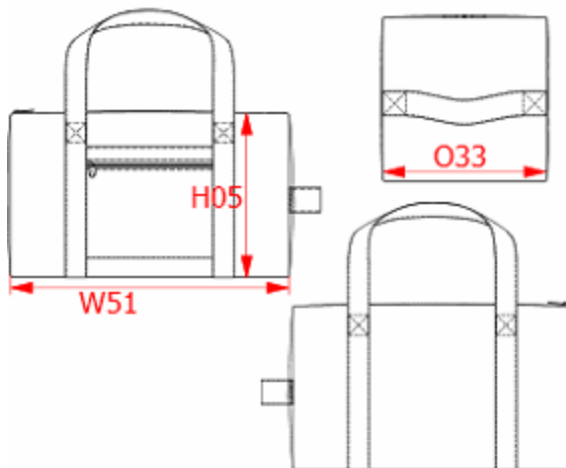
Fabric 2 : Faux leather nappa PVC As contrast fabric, For handles and decoration on main opening. 100%PVC

**FABRIC CONSTRUCTION AND FINISHING :**

Washed canvas for vintage look

**ARTICLE WEIGHT :**

670 gr/pc



DESCRIPTION		COLORS	PANTONE SERIGRAPHIE
<b>Français :</b> Sac de voyage <b>English :</b> Travel bag in vintage canvas <b>Nederlands :</b> Travel bag in vintage canvas <b>Deutsch :</b> Reisetasche aus baumwoll-canvas <b>Español :</b> Bolsa de viaje <b>Italiano :</b> Borsa da viaggio in stile vintage <b>Português :</b> Saco de viagem		Vintage Kaki	2327C
		Vintage Avio	5415C
		Black	Black
MEASUREMENT			
Description	U		
H05 Hauteur totale / Total height	30		
W51 Total width	50		
O33 Deep of bottom part	30		
PACKING			
Box	20 pcs / box U => L:58cm W:33cm H:32cm GW:14,3kg NW:13,3kg		